

Single Room UFH Control Pack continued

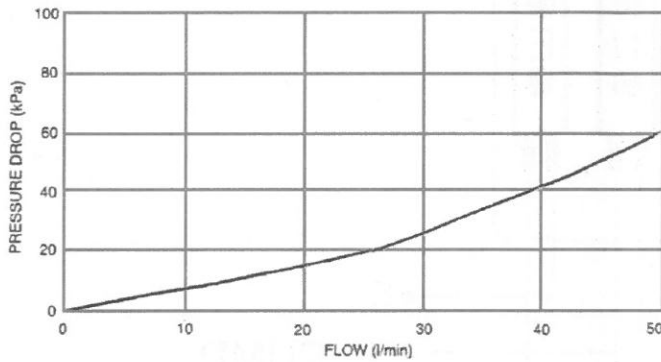
Materials

Valve body: Brass
O-ring: EPDM
Spring: Stainless steel

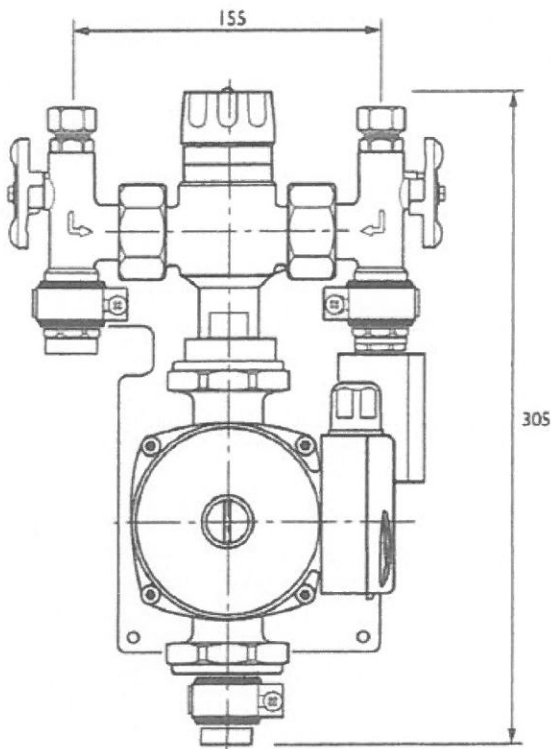
Specifications

Maximum working pressure: 10bar
Maximum temperature: 90°C
Adjustable control range: 35°C-65°C
Factory pre-set: 35°C (minimum)
Connection sizes: 15mm compression (inlet)
G1/2" (outlets and return)
Floor area: 40m²

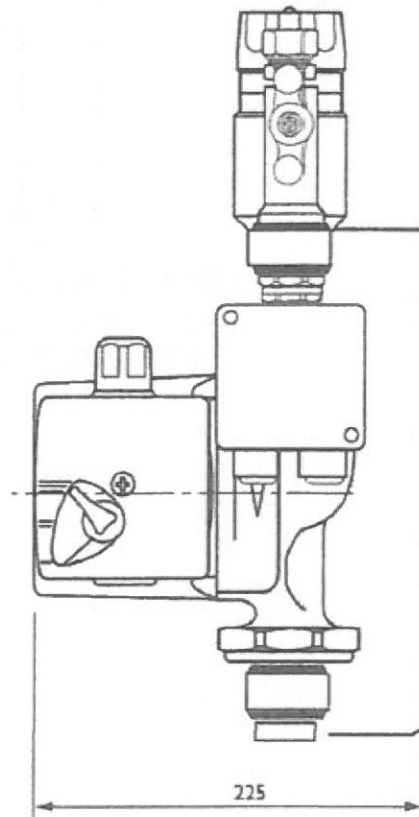
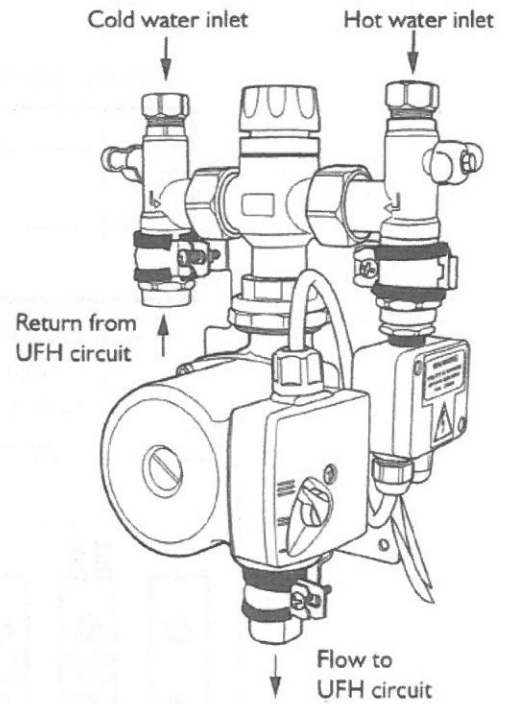
Flow Performance



Dimensions:

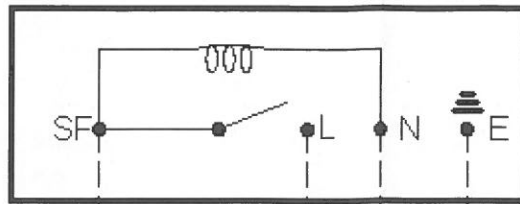


Connection layout

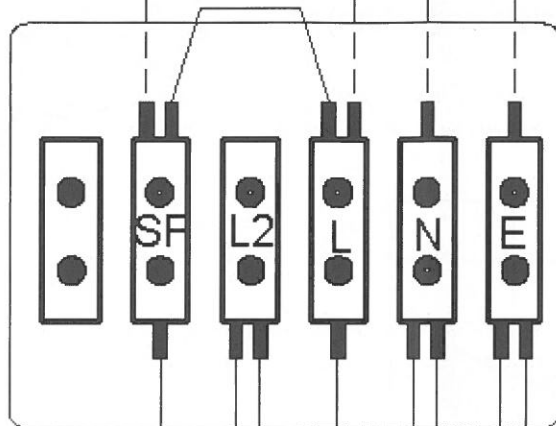


All dimensions in mm unless stated otherwise.

Room stat(example) - not supplied



Remove link
if room stat
is fitted



PUMP

Boiler Feed stat Mains
42°C close (Fused spur)
31°C open 3Amp